

SMD POWER INDUCTOR



P10DR32 SERIES

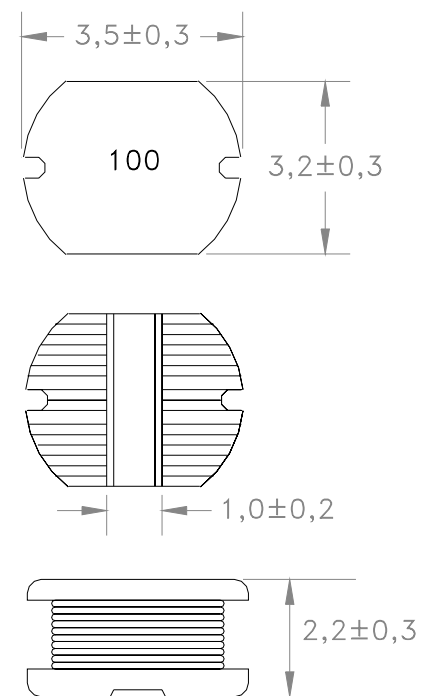


- RoHS Compliant Product
- Inductance measured : $< 100\mu\text{H}$: 100KHz, $0.25V_{\text{RMS}}$
- Inductance measured : $\geq 100\mu\text{H}$: 1KHz, $0.25V_{\text{RMS}}$
- Inductance Tolerance: J= $\pm 5\%$, K= $\pm 10\%$, L= $15\pm\%$, M= $\pm 20\%$
Add suffix letter for tolerance after the part number
- I_{RATED} : Max 10% inductance drop and $\Delta T=40^\circ\text{C}$ Temp Rise
- Operating Temperature: -40°C to $+85^\circ\text{C}$

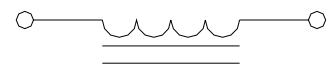
ELECTRICAL SPECIFICATION @ 25°C

PART NO	L $\pm 20\%$ (μH)	DCR Max ($\text{m}\Omega$)	RATED I_{dc} (A)
P10DR32-			
1R0	1.0	45	2.70
1R2	1.2	50	2.50
1R5	1.5	55	2.30
1R8	1.8	70	2.00
2R2	2.2	85	1.85
2R7	2.7	100	1.70
3R3	3.3	110	1.60
3R9	3.9	120	1.50
4R7	4.7	150	1.35
5R6	5.6	160	1.30
6R8	6.8	180	1.20
8R2	8.2	200	1.05
100	10	230	0.76
120	12	270	0.68
150	15	310	0.64
180	18	410	0.53
220	22	470	0.50
	$\pm 10\%$		
270	27	660	0.41
330	33	760	0.38
390	39	850	0.36
470	47	970	0.33
560	56	1250	0.29
680	68	1450	0.28
820	82	1850	0.24
101	100	2200	0.22
121	120	2290	0.19
151	150	3400	0.17
181	180	3900	0.16
221	220	4500	0.15
270	270	6000	0.14
331	330	7000	0.13

Mechanical



Schematic



Dimensions

Unless otherwise specified, all tolerances are:
 inch: .XX : ± 0.015 .XXX : ± 0.004
 mm: X,X : $\pm 0,38$ X,XX : $\pm 0,10$

P10DR32-XX
0602JW

Product performance is limited to specified parameter. Data is subject to change without prior notice.

2463 208th, Ste. 205
Torrance, CA 90501

Phone: (310)533-1455
Fax: (310)533-1853

<http://www.mpsind.com>
Email: sales@mpsind.com